



bottom of Door

authorized dealer

Builders
Hardware
Inc.

HDWE VOL2 18



HARDWARE
you can *Trust.*

367

Builders
Hardware
Inc.

www.bhiflorida.com

Quality hardware

BHI Hardware is a collection of best-in-class hardware offerings for doors, closet and general purposes. If you are looking for residential grade or light commercial grade door hardware, chances are you will find it in the BHI Hardware catalog.

Most hardware is available in many finishes to match your decor or taste. Please see our website at bhiflorida.com for a full list of products that we sell, distribute and service.



BHI Hardware

BY BUILDERS HARDWARE, INC.

DOOR HARDWARE

- Ball Catches
- Crash Chains
- Door Closers
- Door Viewers
- Door Stops
- Edge Pulls & Finger Pulls
- Hinges

GENERAL HARDWARE

- Handrail Brackets
- House Numbers
- Shims

CLOSET HARDWARE

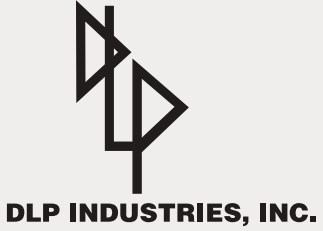
- Bi-Fold Track & Hardware
- Bi-PassTrack & Hardware
- Pocket Track & Hardware
- Pole Sockets

HARDWARE COLOR CHART



Color chart for representation only. For actual color please order sample.

Made in USA!
A majority of our system components are manufactured in the USA.



DOOR HARDWARE



DOOR HARDWARE

DOOR STOPS - DOOR SAVER I



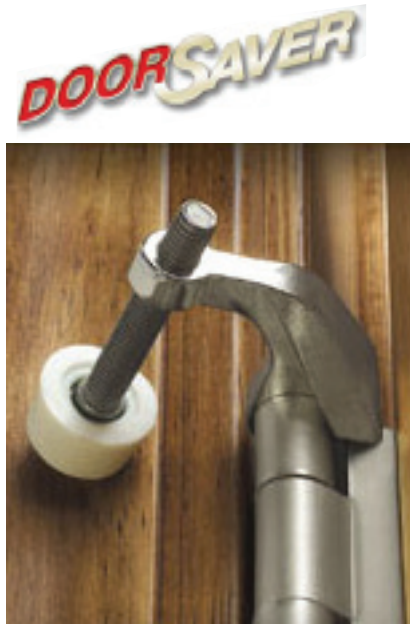
SKU	DESCRIPTION	FINISH	CASE PK.
01213	Door Saver	Bright Chrome	50 / 500
01211	Door Saver	Antique Brass	50 / 500
01214	Door Saver	Satin Nickel	50 / 500
01215	Door Saver	Anitque Nickel	50 / 500
01216	Door Saver	Oil Rubbed Bronze	50 / 500

DOOR STOPS - DOOR SAVER II

Door Saver II ® Ultra low profile design replaces the hinge pin to create bumperless protection for doors and trim.

- Bumperless design eliminates damage to doors and trim
- Installs in seconds – no tools required
- Hinge mounted to fit all doors
- Won't work loose like conventional hinge-mounted products
- Made from strong carbon steel
- Additional finishes will be available soon

SKU	DESCRIPTION	FINISH	CASE PK.
01274	Door Saver II	Satin Nickel	50 / 500
01276	Door Saver II	Oil Rubbed Bronze	50 / 500



Door Saver installs with the hinge pin. This allows the door to be stopped without damaging the door or jamb.



DOOR STOPS – DOOR SAVER III



SKU	DESCRIPTION	FINISH	CASE PK.
01234	Door Saver III	Satin Nickel	50 / 500
01236	Door Saver III	Oil Rubbed Bronze	50 / 500

DOOR STOPS – HINGE PIN

Standard Hinge Pin Door Stops- polybagged by the each			
SKU	DESCRIPTION	FINISH	CASE PK.
30672	Hinge Pin Door Stop	Bright Chrome	100 / 1000
30670-15	Hinge Pin Door Stop	Satin Nickel	100 / 1000
33095	Hinge Pin Door Stop	Oil Rubbed Bronze	100 / 1000
Heavy Duty Hinge Pin Door Stops- polybagged by the each			
SKU	DESCRIPTION	FINISH	CASE PK.
JHP1126	Heavy Duty Hinge Pin Door Stop	Bright Chrome	50 / 500
JHP1115	Heavy Duty Hinge Pin Door Stop	Satin Nickel	50 / 500

BHIHardware
BY BUILDERS HARDWARE, INC.

DOOR HARDWARE



DOOR HARDWARE

DOOR STOPS – SOLID



3-1/8" Cast Solid Heavy Duty Door Stops			
SKU	DESCRIPTION	FINISH	CASE PK.
30647	Cast Door Stop	Bright Chrome	100 / 1000
30652	Cast Door Stop	Satin Nickel	100 / 1000
101115	Cast Door Stop	Antique Brass	100 / 1000
30654	Cast Door Stop	Oil Rubbed Bronze	100 / 1000



FLOOR DOOR STOPS

Floor Door Stops			
SKU	DESCRIPTION	FINISH	CASE PK.
DSHP1826D	1-3/8" High Floor Dome Stop	Satin Chrome	50 / 500

WALL DOOR STOPS

Wall Door Stops- with Plastic Drywall Ancor, Concave Tubber, Stainless Steel, 2-1/2" Dia, 1" Projection			
SKU	DESCRIPTION	FINISH	CASE PK.
WB26US32D	Concave Wall Stop	Stainless Steel	50 / 500

DOOR STOPS – SPRING

3" Spring Door Stops			
SKU	DESCRIPTION	FINISH	CASE PK.
FS8926	Spring Door Stop	Bright Chrome	100 / 1000
FS8915	Spring Door Stop	Satin Nickel	100 / 1000
FS8910B	Spring Door Stop	Oil Rubbed Bronze	100 / 1000



STRIKE PLATES

SKU	DESCRIPTION	FINISH	CASE PK.
ASAST26D	ANSI ASA Strike 1-1/4"x4-7/8"	Satin Chrome	10 / 25

3-1/8" Heavy Duty Spring Door Stops			
SKU	DESCRIPTION	FINISH	CASE PK.
30613	HD Spring Door Stop	Bright Brass	50 / 800
30614	HD Spring Door Stop	Antique Brass	50 / 800
30615	HD Spring Door Stop	Bright Chrome	50 / 800
30619	HD Spring Door Stop	Satin Nickel	50 / 800
30620	HD Spring Door Stop	Antique Nickel	50 / 800
30613-10B	HD Spring Door Stop	Oil Rubbed Bronze	50 / 800



CRASH CHAINS

Single Spring Crash Chains w/ Vinyl Cover			
SKU	DESCRIPTION	FINISH	CASE PK.
36607	Crash Chain w/ Cover	Bright Chrome	10 / 120



POCKET LOCKS 1-3/4" x 2-1/4" Cutout

We have a wide variety of finishes available. The pocket lock is finished with a coined edge unlike most other brands. We pride ourselves in quality and have competitive pricing.

SKU	DESCRIPTION	FINISH	CASE PK
SDL16US3	Privacy Pocket Lock	Bright Brass	10 / 50
SDL16US5	Privacy Pocket Lock	Antique Brass	10 / 50
SDL16US26	Privacy Pocket Lock	Bright Chrome	10 / 50
SDL16US26D	Privacy Pocket Lock	Satin Chrome	10 / 50
SDL16US10B	Privacy Pocket Lock	Oil Rubbed Bronze	10 / 50
SDL16US15	Privacy Pocket Lock	Satin Nickel	10 / 50
SDL16US15A	Privacy Pocket Lock	Antique Nickel	10 / 50
SDL17US3	Passage Pocket Lock	Bright Brass	10 / 50
SDL17US5	Passage Pocket Lock	Antique Brass	10 / 50
SDL17US26	Passage Pocket Lock	Bright Chrome	10 / 50
SDL17US26D	Passage Pocket Lock	Satin Chrome	10 / 50
SDL17US10B	Passage Pocket Lock	Oil Rubbed Bronze	10 / 50
SDL17US15	Passage Pocket Lock	Satin Nickel	10 / 50
SDL17US15A	Passage Pocket Lock	Antique Nickel	10 / 50
COM-BOUS10B	Double Pocket Door Lock	Oil Rubbed Bronze	5 / 25
COMBOUS15	Double Pocket Door Lock	Satin Nickel	5 / 25



Pocket Door Locks for Round Mortise Application

SKU	DESCRIPTION	FINISH	CASE PK
10PDUS10BP	Passage Pocket Lock	Oil Rubbed Bronze	20 / 60
10PDUS15	Passage Pocket Lock	Satin Nickel	20 / 60
20PDUS10BP	Privacy Pocket Lock	Oil Rubbed Bronze	20 / 60
20PDBUS15	Privacy Pocket Lock	Satin Nickel	20 / 60



Full-length louvers have a center support.



VENTILATING DOOR LOUVERS

SKU	Description	Finish	CASE PK
A1212D1M	12x12 Door Louver	Anodized Aluminum	4 / 10
A1818D1M	18x18 Door Louver	Anodized Aluminum	4 / 10
A2020D1M	20x20 Door Louver	Anodized Aluminum	4 / 10
A2412D1M	24x12 Door Louver	Anodized Aluminum	4 / 10
A2424D1M	24x24 Door Louver	Anodized Aluminum	4 / 10
A2064D1M	20x64 Door Louver	Anodized Aluminum	4 / 10
A2260D1M	22x64 Door Louver	Anodized Aluminum	4 / 10
A2460D1M	24X60 Door Louver	Anodized Aluminum	4 / 10

These are heavy-duty louvers and custom sizes are available.

DOOR KNOCKERS & VIEWERS

SKU	DESCRIPTION	FINISH	CASE PK
31830	9-16" Bore 180 Degree Solid Brass Viewer	Bright Brass	25 / 100
31832	9-16" Bore 180 Degree Solid Brass Viewer	Bright Chrome	25 / 100
31841	9-16" Bore 180 Degree Solid Brass Viewer	Oil Rubbed Bronze	25 / 100
31840	9-16" Bore 180 Degree Solid Brass Viewer	Satin Nickel	25 / 100

SKU	DESCRIPTION	FINISH	CASE PK
31834	1/2" Bore 180 Degree Solid Brass Viewer	Bright Brass	25 / 100
31835	1/2" Bore 180 Degree Solid Brass Viewer	Antique Brass	25 / 100
31836	1/2" Bore 180 Degree Solid Brass Viewer	Bright Chrome	25 / 100
31842	1/2" Bore 180 Degree Solid Brass Viewer	Satin Nickel	25 / 100
31843	1/2" Bore 180 Degree Solid Brass Viewer	Oil Rubbed Bronze	25 / 100

SKU	DESCRIPTION	FINISH	CASE PK
32435	5-1/2"x9/16" Bore 180 Degree Zinc Cast Door Knocker/ Veiwier	Bright Brass	25 / 100
32439	5-1/2"x9/16" Bore 180 Degree Zinc Cast Door Knocker/ Veiwier	Oil Rubbed Bronze	25 / 100
32438	5-1/2"x9/16" Bore 180 Degree Zinc Cast Door Knocker/ Veiwier	Satin Nickel	25 / 100



COMMERCIAL & RESIDENTIAL

DOUBLE-ACTING SPRING PIVOT HINGES



- #3029 4" through 6" MORTISE
- Ansi K81041
- * Door Flange is mortised into edge of door
- * Jamb flange is surface applied to jamb
- * Steel Material
- * Non-Template
- * Non-Handed
- * All wood screws

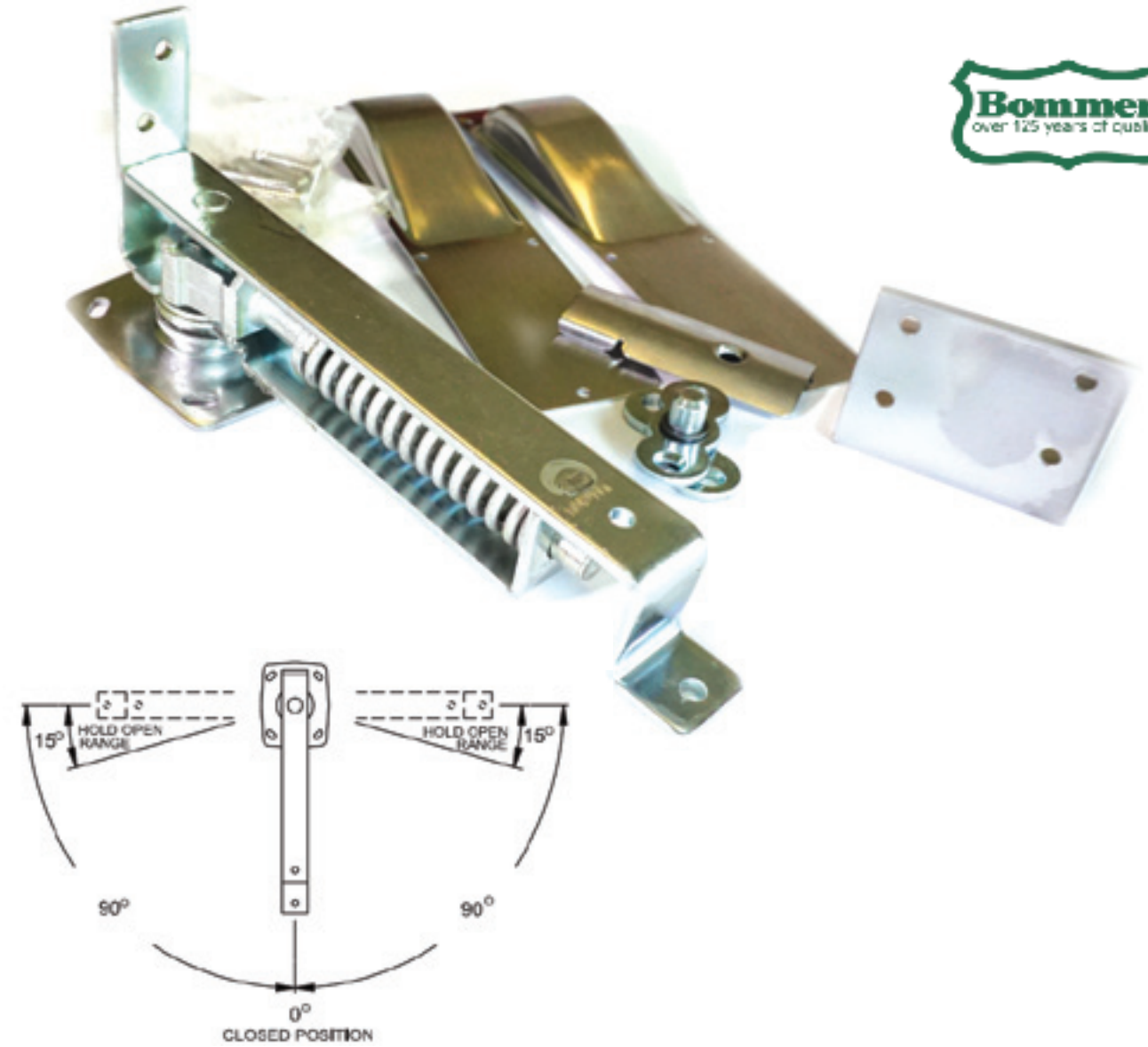
Do not use on doors with beveled hinge edge



SKU	DESCRIPTION	FINISH	CASE PK
3029-4PC	4" Bommer Double Acting Spring Hinge	Primed	6 / 12
3029-5PC	5" Bommer Double Acting Spring Hinge	Primed	6 / 12
3029-5PB	5" Bommer Double Acting Spring Hinge	Bright Brass	6 / 12
3029-510B	5" Bommer Double Acting Spring Hinge	Oil Rubbed Bronze	6 / 12
3029-526D	5" Bommer Double Acting Spring Hinge	Satin Chrome	6 / 12
3029-6PC	6" Bommer Double Acting Spring Hinge	Primed	6 / 12
3029-6PB	6" Bommer Double Acting Spring Hinge	Bright Brass	6 / 12
3029-6US26D	6" Bommer Double Acting Spring Hinge	Satin Chrome	6 / 12

COMMERCIAL & RESIDENTIAL

DOUBLE-ACTING FLOOR SPRING PIVOTS



SKU	DESCRIPTION	FINISH	CASE PK
7802US26D	Bommer Light Duty Double Acting Floor Mounted Spring Hinge	Satin Chrome	6 / 12
7812US5	Bommer Medium Duty Double Acting Floor Mounted Spring Hinge	Antique Brass	6 / 12
7812US10B	Bommer Medium Duty Double Acting Floor Mounted Spring Hinge	Oil Rubbed Bronze	6 / 12
7812US15	Bommer Medium Duty Double Acting Floor Mounted Spring Hinge	Satin Nickel	6 / 12
7812US26D	Bommer Medium Duty Double Acting Floor Mounted Spring Hinge	Satin Chrome	6 / 12



RESIDENTIAL HINGES

EXTERIOR DOOR HINGES 4"x4" RADIUS

SKU	SIZE	DESCRIPTION	FINISH	CASE PK
42D58STUD	4"x4"	Exterior Hinge w/ Safety Stud Radius 5/8" x 5/8"	Zinc	100 / 1000
4P58STUD	4"x4"	Exterior Hinge w/ Safety Stud Radius 5/8" x 5/8"	Primed	100 / 1000
426D58STUD	4"x4"	Exterior Hinge w/ Safety Stud Radius 5/8" x 5/8"	Satin Chrome	100 / 1000
4SN58STUD	4"x4"	Exterior Hinge w/ Safety Stud Radius 5/8" x 5/8"	Satin Nickel	100 / 1000
410C58STUD	4"x4"	Exterior Hinge w/ Safety Stud Radius 5/8" x 5/8"	Satin Bronze	100 / 1000
432D58STUD	4"x4"	Exterior Hinge w/ Safety Stud Radius 5/8" x 5/8"	Stainless Steel	100 / 1000
4358STUD	4"x4"	Exterior Hinge w/ Safety Stud Radius 5/8" x 5/8"	Bright Brass	100 / 1000



EXTERIOR DOOR HINGES 4"x4" RADIUS X SQUARE

SKU	SIZE	DESCRIPTION	FINISH	CASE PK
42D58SQRSTUDL	4"x4"	Exterior Hinge w/ Safety Stud Left Handed 5/8" RADxSQR	Zinc	100 / 1000
42D58SQRSTUDR	4"x4"	Exterior Hinge w/ Safety Stud Right Handed 5/8" RADxSQR	Zinc	100 / 1000
426D58SQRSTUD	4"x4"	Exterior Hinge w/ Safety Stud Right Hand/ Reversible 5/8" RADxSQR	Satin Chrome	100 / 1000
4SN58SQRSTUDL	4"x4"	Exterior Hinge w/ Safety Stud Left Handed 5/8" RADxSQR	Satin Nickel	100 / 1000
4SN58SQRSTUDR	4"x4"	Exterior Hinge w/ Safety Stud Right Handed 5/8" RADxSQR	Satin Nickel	100 / 1000
410C58SQRSTUDL	4"x4"	Exterior Hinge w/ Safety Stud Left Handed 5/8" RADxSQR	Satin Bronze	100 / 1000
410C58SQRSTUDR	4"x4"	Exterior Hinge w/ Safety Stud Right Handed 5/8" RADxSQR	Satin Bronze	100 / 1000
432D58SQRSTUDL	4"x4"	Exterior Hinge w/ Safety Stud Left Handed 5/8" RADxSQR	Stainless Steel	100 / 1000
432D58SQRSTUDR	4"x4"	Exterior Hinge w/ Safety Stud Right Handed 5/8" RADxSQR	Stainless Steel	100 / 1000
4358SQRSTUD	4"x4"	Exterior Hinge w/ Safety Stud- Right Hand/ Reversible 5/8" RADxSQR	Bright Brass	100 / 1000



LEFT HAND



RIGHT HAND



LEFT HAND



RIGHT HAND



RESIDENTIAL HINGES

EXTERIOR DOOR SPRING HINGES 4"x4" RADIUS

SKU	SIZE	DESCRIPTION	FINISH	CASE PK
SP42D58	4"x4"	Exterior Spring Hinge 5/8" RADxRAD	Zinc	100 / 1000
SP4P58	4"x4"	Exterior Spring Hinge 5/8" RADxRAD	Primed	100 / 1000
SP4US10C58	4"x4"	Exterior Spring Hinge 5/8" RADxRAD	Satin Bronze	100 / 1000
SP4US1558	4"x4"	Exterior Spring Hinge 5/8" RADxRAD	Satin Nickel	100 / 1000

EXTERIOR DOOR SPRING HINGES 4"x4" RADIUS X SQUARE

SKU	SIZE	DESCRIPTION	FINISH	CASE PK
SP410B58X-SQLEFT	4"x4"	4"x4"x5/8" RADxSQR Residential Exterior Spring Hinge- Left Handed	Oil Rubbed Bronze	100 / 1000
SP410B58X-SQRIGHT	4"x4"	4"x4"x5/8" RADxSQR Residential Exterior Spring Hinge- Right Handed	Oil Rubbed Bronze	100 / 1000
SP4SN58X-SQLEFT	4"x4"	4"x4"x5/8" RADxSQR Residential Exterior Spring Hinge- Left Handed	Satin Nickel	100 / 1000
SP4SN58X-SQRIGHT	4"x4"	4"x4"x5/8" RADxSQR Residential Exterior Spring Hinge- Right Handed	Satin Nickel	100 / 1000
SP42D58X-SQLEFT	4"x4"	4"x4"x5/8" RADxSQR Residential Exterior Spring Hinge- Left Handed	Zinc	100 / 1000
SP42D58X-SQRIGHT	4"x4"	4"x4"x5/8" RADxSQR Residential Exterior Spring Hinge- Right Handed	Zinc	100 / 1000
SP4P58X-SQRIGHT	4"x4"	4"x4"x5/8" RADxSQR Residential Exterior Spring Hinge- Right Handed	Primed	100 / 1000

EXTERIOR DOOR BALL BEARING HINGES 4"x4"

SKU	SIZE	DESCRIPTION	FINISH	CASE PK
432DBBS-QR58STUDL	4"x4"	Ball Bearing Exterior Hinge w/ Safety Stud- Left Handed 5/8" RADxSQR	Stainless Steel	100 / 1000
432DBBS-QR58STUDR	4"x4"	Ball Bearing Exterior Hinge w/ Safety Stud- Right Handed 5/8" RADxSQR	Stainless Steel	100 / 1000
410CBB58-STUD	4"x4"	Exterior Hinge Ball Bearing w/ Safety Stud 5/8" RADxRAD	Satin Bronze	100 / 1000
432DBB58-STUD	4"x4"	Exterior Hinge Ball Bearing w/ Safety Stud 5/8" RADxRAD	Stainless Steel	100 / 1000

DOOR HARDWARE

DOOR HARDWARE

RESIDENTIAL HINGES

INTERIOR DOOR HINGES – 3-1/2"x3-1/2" RADIUS

SKU	SIZE	DESCRIPTION	FINISH	CASE PK
3122D58	3-1/2"x3-1/2"	Interior Hinge Radius 5/8" x 5/8"	Zinc	100 / 1000
312P58	3-1/2"x3-1/2"	Interior Hinge Radius 5/8" x 5/8"	Primed	100 / 1000
3123458	3-1/2"x3-1/2"	Interior Hinge Radius 5/8" x 5/8"	Satin Brass	100 / 1000
312358	3-1/2"x3-1/2"	Interior Hinge Radius 5/8" x 5/8"	Bright Brass	100 / 1000
312AB58	3-1/2"x3-1/2"	Interior Hinge Radius 5/8" x 5/8"	Antique Brass	100 / 1000
31226D58	3-1/2"x3-1/2"	Interior Hinge Radius 5/8" x 5/8"	Satin Chrome	100 / 1000
312AN58	3-1/2"x3-1/2"	Interior Hinge Radius 5/8" x 5/8"	Antique Nickel	100 / 1000
312SN58	3-1/2"x3-1/2"	Interior Hinge Radius 5/8" x 5/8"	Satin Nickel	100 / 1000
31210C58	3-1/2"x3-1/2"	Interior Hinge Radius 5/8" x 5/8"	Satin Bronze	100 / 1000



INTERIOR SPRING HINGES – 3-1/2"x3-1/2" RADIUS

SKU	SIZE	DESCRIPTION	FINISH	CASE PK
SP3122D58	3-1/2"x3-1/2"	Interior Spring Hinge Radius 5/8" x 5/8"	Zinc	100 / 1000
SP312SN58	3-1/2"x3-1/2"	Interior Spring Hinge Radius 5/8" x 5/8"	Satin Nickel	100 / 1000



INTERIOR/EXTERIOR HINGE SCREWS

SKU	SIZE	DESCRIPTION	FINISH	CASE PK
SCREWUS10B	3/4" x #9	Wood hinge screws	Oil Rubbed Bronze	800 / 4000
SCREWUS15	3/4" x #9	Wood hinge screws	Satin Nickel	800 / 4000
SCREWUS2D	3/4" x #9	Wood hinge screws	Zinc	800 / 4000
SCREWUSPP	3/4" x #9	Wood hinge screws	Primed	800 / 4000
SCREWUS32D	3/4" x #9	Wood hinge screws	Stainless Steel	800 / 4000



Other finishes available: Antique Nickel, Satin Chrome, Bright Brass, and Antique Brass

PUSH/PULL KICK PLATES

All Push, Pull and Kick Plates are of a commercial quality. Base metal used; Brass, Bronze, Aluminum or Stainless Steel. All rust-free.



SKU	DESCRIPTION	FINISH	CASE PK
5310US28	Pull Plate	Aluminum	01 / 05
5310US10B	Pull Plate	Oil Rubbed Bronze	01 / 05
5310US32D	Pull Plate	Stainless Steel	01 / 05
5310US15	Pull Plate	Satin Nickel	01 / 05
SKU	DESCRIPTION	FINISH	CASE PK
53US28	Push Plate	Aluminum	10 / 50
53US10B	Push Plate	Oil Rubbed Bronze	10 / 50
53US32D	Push Plate	Stainless Steel	10 / 50
53US15	Push Plate	Satin Nickel	10 / 50

EDGE PULLS

3-7/8"x3/4" Door Edge Pulls			
SKU	DESCRIPTION	FINISH	CASE PK
104619	Edge Pull	Satin Nickel	10 / 50



FLUSH FINGER PULLS

Door Flush Pulls- two sizes, polybagged by the each			
SKU	DESCRIPTION	FINISH	CASE PK
216	1-3/4" Plastic Pull	Tan	100 / 300
DIFP2183	2-1/8" Plated Pull	Bright Brass	100 / 300
DIFP2185	2-1/8" Plated Pull	Antique Brass	100 / 300
DIFP21826	2-1/8" Plated Pull	Bright Chrome	100 / 300
DIFP21815	2-1/8" Plated Pull	Satin Nickel	100 / 300
DIF-P21810B	2-1/8" Plated Pull	Oil Rubbed Bronze	100 / 300



DOOR HARDWARE

DOOR HARDWARE

THRESHOLDS

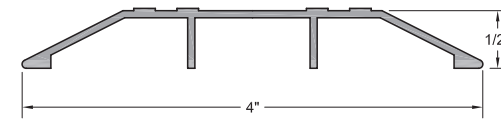
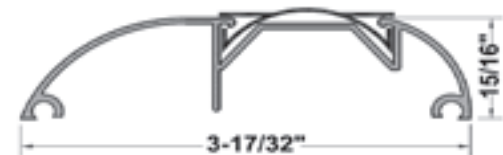


Outswing Low Bumper			
SKU	DESCRIPTION	FINISH	CASE PK
LB30	36-1/2" Length Aluminum	Mill	15
LB60	72-1/2" Length Aluminum	Mill	15

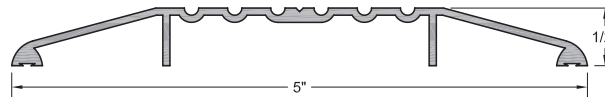
Outswing High Bumper			
SKU	DESCRIPTION	FINISH	CASE PK
HB28	32-1/2" Length Aluminum	Mill	15
HB30	36-1/2" Length Aluminum	Mill	15
HB60	72-1/2" Length Aluminum	Mill	15
HB30B	36-1/2" Length Aluminum	Bronze	15
HB60B	72-1/2" Length Aluminum	Bronze	15

Inswing Low Saddle			
SKU	DESCRIPTION	FINISH	CASE PK
LS30	36-1/2" Length Aluminum	Mill	15
LS60	72-1/2" Length Aluminum	Mill	15

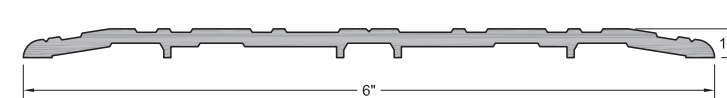
Inswing High Saddle			
SKU	DESCRIPTION	FINISH	CASE PK
HS30	36-1/2" Length Aluminum	Mill	15



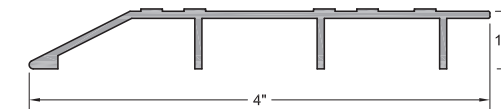
ISHC4 SERIES
4" wide Inswing handicap threshold with screw holes.



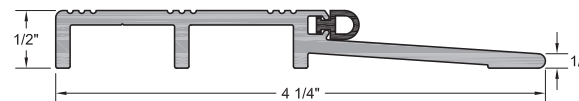
ISHC SERIES
5" wide Inswing handicap threshold with screw holes.



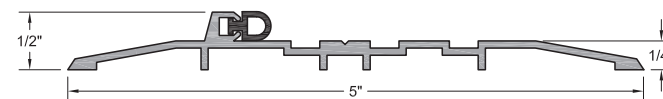
ISHC6 SERIES
A.D.A. Approved 6" wide Inswing handicap threshold with screw holes.



ISTB SERIES – TILE BACK
4" wide Inswing handicap threshold with screw holes. This threshold was designed to butt up to tile or other floor coverings.



TCOSH SERIES
4 1/4" wide Outswing handicap threshold with vinyl weatherstrip and screw holes.



OSHC SERIES
5" wide Outswing handicap threshold with vinyl weatherstrip and screw holes.



HANDICAP THRESHOLDS

Mill or Bronze Finish
Composite or wood substrate

Special Order Options

- Specific lengths
- Jamb notches
- Screw hole punched (for Tapcons)

SKU	DESCRIPTION	FINISH	CASE PK
ISHC43612	36-1/2"x4" Handicap Inswing Aluminum Threshold	Mill	10 / 30
ISHC36	36"x5" Handicap Inswing Aluminum Threshold	Mill	10 / 30
ISHC3612	36-1/2"x5" Handicap Inswing Aluminum Threshold	Mill	10 / 30
ISHC73	73"x5" Handicap Inswing Aluminum Threshold	Mill	10 / 30

SKU	DESCRIPTION	FINISH	CASE PK
ISTB36	36"x4" Tile Back Inswing Aluminum Threshold	Mill	10 / 30
	36-3/16"x4" Tile Back Inswing Aluminum Threshold w/ Punch & Dimple	Mill	10 / 30
ISTB45836	36"x4-5/8" Tile Back Inswing Aluminum Threshold	Mill	10 / 30
ISTB73	73"x4" Tile Back Inswing Aluminum Threshold	Mill	10 / 30

SKU	DESCRIPTION	FINISH	CASE PK
TCOSH36H	36"x4-1/4" Handicap Outswing Aluminum Threshold	Mill	10 / 30

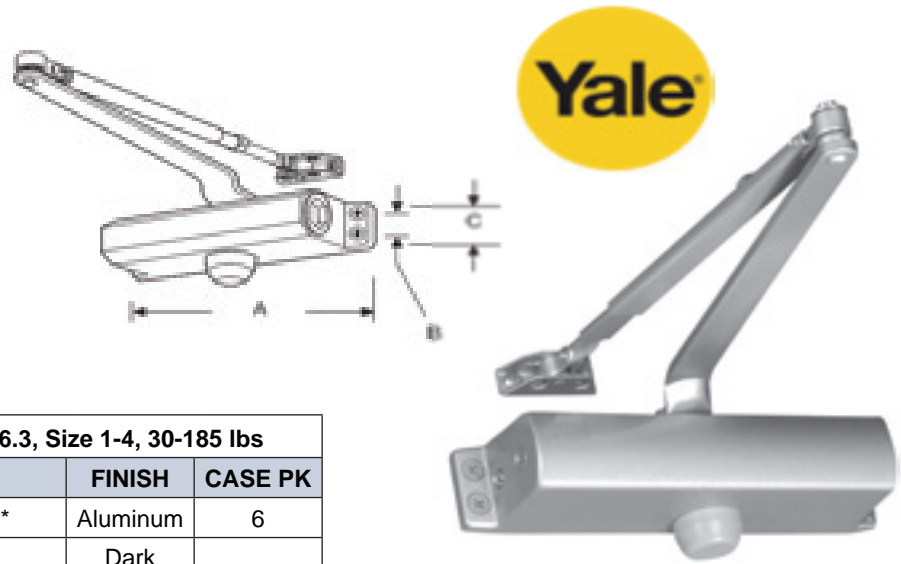
SKU	DESCRIPTION	FINISH	CASE PK
OSHC3612	36-1/2"x5" Handicap Outswing Aluminum Threshold	Mill	10 / 30
OSHC36316	36-3/16"x5" Handicap Outswing Aluminum Threshold	Mill	10 / 30
OSHC73	73"x5" Handicap Outswing Aluminum Threshold	Mill	10 / 30

DOOR HARDWARE

DOOR HARDWARE

DOOR CLOSERS
YALE YM SERIES

DC1101
DOOR CLOSERS
GRADE 1 · ANSI A156.3
ECONOMY LIGHT-DUTY



Economy Door Closers, Grade 1, ANSI A156.3, Size 1-4, 30-185 lbs

SKU	DESCRIPTION	FINISH	CASE PK
1101BF689	1100 Series Door Closer **	Aluminum	6
1101BF690	1100 Series Door Closer **	Dark Bronze	6
1100COV689	Cover Only for 1100 Series Closer	Aluminum	6
1100COV690	Cover Only for 1100 Series Closer	Dark Bronze	6

*** covers and sex-bolts sold separately; sex-bolts listed at the bottom of this page.*

DC2501 DOOR CLOSERS
GRADE 1 · ANSI A156.3
ALUMINUM ARCHITECTURAL



Architectural Door Closers, Grade 1, ANSI A156.3, Size 1-4, 30-260 lbs

SKU	DESCRIPTION	FINISH	CASE PK
2701689	2700 Series Door Closer ***	Aluminum	6
2701690	2700 Series Door Closer ***	Dark Bronze	6

**** covers are included but sex-bolts are still sold separately; sex-bolts listed at the bottom of this page.*

Sex-Bolt Screws and Sleeves for 300, 400, and 900 Series Closers

SKU	DESCRIPTION	FINISH	CASE PK
706	Male Screw for 970 Sleeve (4pk)	Aluminum	10
970AL	Female Sleeve for 706 Screw (4pk)	Aluminum	10
970DU	Female Sleeve for 706 Screw (4pk)	Dark Bronze	10

DOOR CLOSERS

300PBFCOV Features: Non-sized, fully adjustable 1 thru 4, (Barrier Free ADA) interior doors. Full cover.
 □ Standard adjustable back check intensity valve.
 □ Factory tested to meet or exceed ANSI Standard 156.4
 □ Standard full plastic cover (2-5/8"Wx3"Hx10-1/8"L)
 □ Universal Mounting - standard size #4 Mounting Holes. (9-1/6")
 □ 5 Year warranty.



ADA Barrier Free Door Closers, Grade 1, ANSI A156.2, U.L. Listed, Size 1-4, 30-185 lbs

SKU	DESCRIPTION	FINISH	CASE PK
300PBFCOVAL	300 Series Door Closer	Aluminum	6
300PBFCOVDU	300 Series Door Closer	Duronotic	6
300PBFBCCOVGD	300 Series Door Closer	Gold	6

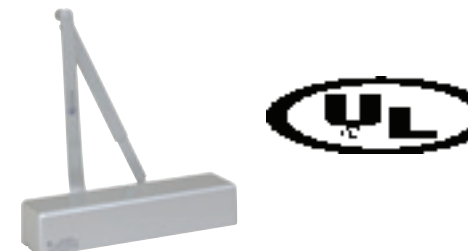
400 Series Features: Non-handed, sized closer.
 □ Dual valve, closing and latching speed controlled by two separate regulating valves.
 □ Heavy duty cast aluminum, Precision rack and pinion construction, Flat drop bracket
 □ UL listed for fire door assemblies.
 □ Universal hole pattern. [Size (4) 440, size (3) 430]
 □ 5 Year warranty.



Door Closers, Grade 2, U.L. Listed

SKU	DESCRIPTION	FINISH	CASE PK
420PAL	Size 2 Door Closer 55-100 lbs	Aluminum	10
430PAL	Size 3 Door Closer 86-143 lbs	Aluminum	10
430PDU	Size 3 Door Closer 86-143 lbs	Duronotic	10

900 Series Features: Standard full plastic cover
 □ Universal application. Non-handed for standard, top-jamb or parallel arm installation.
 □ Non-sized, 2 thru 6 and 1 thru 4
 □ Standard adjustable back-check function.
 □ Adjustable closing and latching speed controlled by two separate regulating valves.
 ALUMINUM & DURO Packaging Includes: (not shown)
 □ Regular Arm - Parallel Arm Bracket - Wood Screws - Machine Screws



Door Closers, Grade 1, U.L. Listed, Size 1-6, 30-260 lbs

SKU	DESCRIPTION	FINISH	CASE PK
N900PBFAL	900 Series Door Closer	Aluminum	6

MULTI-POINT LOCK SECURITY HARDWARE

TRILENNIUM™ Multi-Point Locking System *Security Hardware*

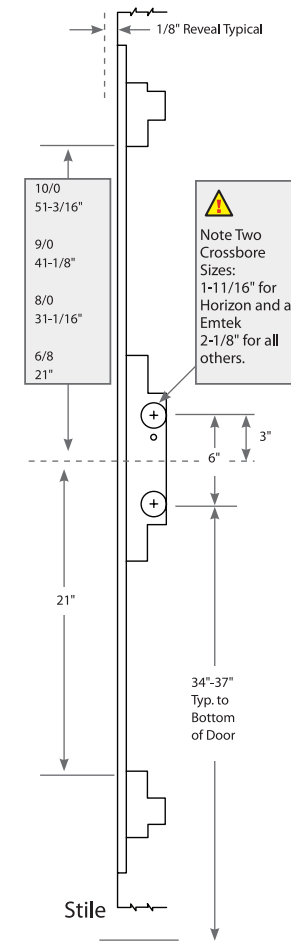
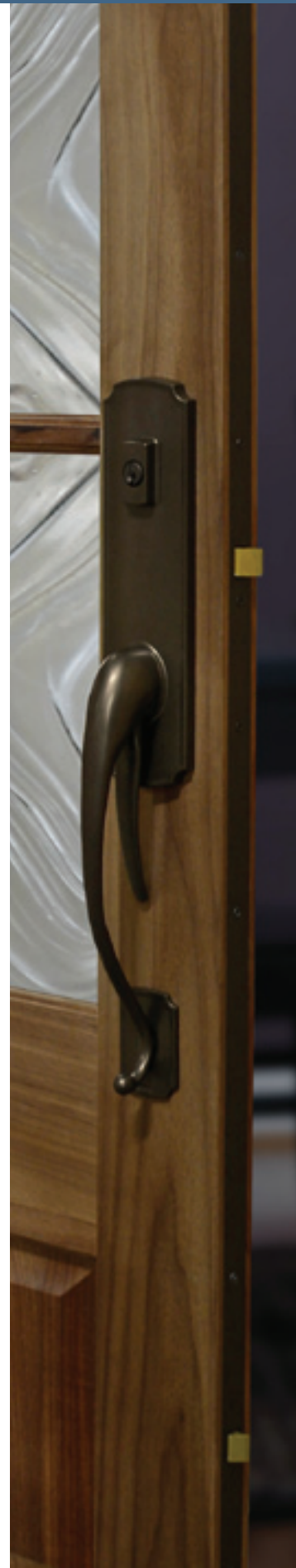
Security. Strength. Reliability. Performance.

Unmatched protection doesn't have to mean compromised style. Trilennium offers a growing portfolio of attractive handset designs that features one solid unit with three latches based on the strength of patented I-Beam construction for reliable, proven strength and performance. Operating as one unit, all three latches engage when the door is closed. With one movement of the thumbturn or key activates all three deadbolts. Each latch is a deadbolt and adds high-performance security.

- Patented Strike Rollers and latches draw the door panel into perfect alignment with the jamb for a tight seal with no deflection
- A single downward turn of the interior handle releases all three deadbolts making it panic-proof
- Keying available; BHI Stock has a SCHLAGE C Keyway, and can be keyed to Yale locks for whole house compatability. Also available in smart key!
- Manufactured in the USA



ECLIPSE GRIP SET
SHOWN IN
VICTORIAN BRONZE



MULTI-POINT LOCK SECURITY HARDWARE

MULTI-POINT LOCK MECHANISM

SKU	DESCRIPTION	FINISH	CASE PK
TL3000SS68RISBNP	6/8 & 7/0 Multipoint Lock Mechanism RH	Stainless Steel	5
TL3000SS68LISBNP	6/8 & 7/0 Multipoint Lock Mechanism LH	Stainless Steel	5
TL3000SS80RISBNP	8/0 Multipoint Lock Mechanism RH	Stainless Steel	5
TL3000SS80LISBNP	8/0 Multipoint Lock Mechanism LH	Stainless Steel	5
TL3000VB68RISB1S	6/8 & 7/0 Multipoint Lock Mechanism RH	Victorian Bronze	5
TL3000VB68LISB1S	6/8 & 7/0 Multipoint Lock Mechanism LH	Victorian Bronze	5
TL3000VB80RISB1S	8/0 Multipoint Lock Mechanism RH	Victorian Bronze	5
TL3000VB80LISB1S	8/0 Multipoint Lock Mechanism LH	Victorian Bronze	5

SKU	DESCRIPTION	FINISH	CASE PK
TCSTRKPCK225SS	Outswing US32D (3) Strike Kit w/ Screws	Stainless Steel	3 / 6
TCSTRKPCK175SS	Inswing US32D (3) Strike Kit w/ Screws	Stainless Steel	3 / 6
TCREINFPLATKIT	Reinforcing Roller (3) Strike Plate Kit	Stainless Steel	3 / 6
TCDUSTBOX	Plastic Dust Box	Black	3 / 6
TCCNSTRC-THNDL175	Non-Operational Conctruction Handle	Aluminum	3 / 6

SKU	DESCRIPTION	FINISH	CASE PK
TCKEYCYLS175PC	Schlage Keyway for 1-3/4" Door US26D	Satin Chrome	3 / 6
TCKEYCYLS225PC	Schlage Keyway for 2-1/4" Door US26D	Satin Chrome	3 / 6
TC-KEYCYLR-175SN	Smart Key for 1 3/4" Doors US26D	Satin Chrome	3 / 6
TC-RCNVKIT-175SSN	Conversion Kit	Satin Chrome	3 / 6
TC-KEYBLANK-R	Key Blank	Satin Chrome	3 / 6

Keying available; BHI Stock has a SCHLAGE C Keyway, and can be keyed to Yale locks for whole house compatability. Also available in smart key!

MULTI-POINT LOCK SECURITY HARDWARE

MULTI-POINT LOCK SECURITY HARDWARE

MULTI-POINT LOCK TRIMS

SKU	DESCRIPTION	FINISH	CASE PK
ECPLACTBB175NW	Eclipse Active Leverset US3	Bright Brass	3 / 6
ECPLDUMBB175N	Eclipse Dummy Leverset US3	Bright Brass	3 / 6
ECPLACTSNTL-175NW	Eclipse Active Leverset US15TL	TriLast Satin Nickel	3 / 6
ECPLDUMSNTL175N	Eclipse Dummy Leverset US15TL	TriLast Satin Nickel	3 / 6
ECPLACTSN175NW	Eclipse Active Leverset US15	Satin Nickel	3 / 6
ECPLDUMSN175N	Eclipse Dummy Leverset US15	Satin Nickel	3 / 6
ECPLACTVB175NW	Eclipse Active Leverset US10P	Victorian Bronze	3 / 6
ECPLDUMVB175N	Eclipse Dummy Leverset US10P	Victorian Bronze	3 / 6



MULTI-POINT LOCK TRIMS

SKU	DESCRIPTION	FINISH	CASE PK
PINLACTSN175NW	Pinnacle Active Leverset US15	Satin Nickel	3 / 6
PINLDUMSN175N	Pinnacle Dummy Leverset US15	Satin Nickel	3 / 6
PINLACTVB175NW	Pinnacle Active Leverset US10P	Victorian Bronze	3 / 6
PINLDUMVB175N	Pinnacle Dummy Leverset US10P	Victorian Bronze	3 / 6

SKU	DESCRIPTION	FINISH	CASE PK
HORLACTVB175NW	Horizon Active Leverset US10P	Victorian Bronze	3 / 6
HORLDUMVB175N	Horizon Dummy Leverset US10P	Victorian Bronze	3 / 6

SKU	DESCRIPTION	FINISH	CASE PK
ECPGACTSN175RW	Eclipse Active Gripset US15 RHIS/LHOS	Satin Nickel	3 / 6
ECPGACTSN175LW	Eclipse Active Gripset US15 LHIS/RHOS	Satin Nickel	3 / 6
ECPGDUMSN175R	Eclipse Dummy Gripset US15 RHIS/LHOS	Satin Nickel	3 / 6
ECPGDUMSN175L	Eclipse Dummy Gripset US15 LHIS/RHOS	Satin Nickel	3 / 6
ECPGACTVB175RW	Eclipse Active Gripset US10P RHIS/LHOS	Victorian Bronze	3 / 6
ECPGACTVB175LW	Eclipse Active Gripset US10P LHIS/RHOS	Victorian Bronze	3 / 6
ECPGDUMVB175R	Eclipse Dummy Gripset US15 RHIS/LHOS	Satin Nickel	3 / 6
ECPGDUMVB175L	Eclipse Dummy Gripset US15 LHIS/RHOS	Satin Nickel	3 / 6



SKU	DESCRIPTION	FINISH	CASE PK
RECLACTSN175NW	Rectangular Active Leverset US15	Satin Nickel	3 / 6
RECLDUMSN175NW	Rectangular Dummy Leverset US15	Satin Nickel	3 / 6
RECLACTVB175NW	Rectangular Active Leverset US10P	Victorian Bronze	3 / 6
RECLDUMVB175NW	Rectangular Dummy Leverset US10P	Victorian Bronze	3 / 6

SKU	DESCRIPTION	FINISH	CASE PK
CRVLACTSN175NW	Curved Active Leverset US15	Satin Nickel	3 / 6
CRVLDUMSN175NW	Curved Dummy Leverset US15	Satin Nickel	3 / 6
CRVLACTVB175NW	Curved Active Leverset US10P	Victorian Bronze	3 / 6
CRVLDUMVB175NW	Curved Dummy Leverset US10P	Victorian Bronze	3 / 6

Keying available; BHI Stock has a SCHLAGE C Keyway, and can be keyed to Yale locks for whole house compatibility. Also available in smart key!

Keying available; BHI Stock has a SCHLAGE C Keyway, and can be keyed to Yale locks for whole house compatibility. Also available in smart key!

MULTI-POINT LOCK SECURITY HARDWARE

MULTI-POINT LOCK SECURITY HARDWARE

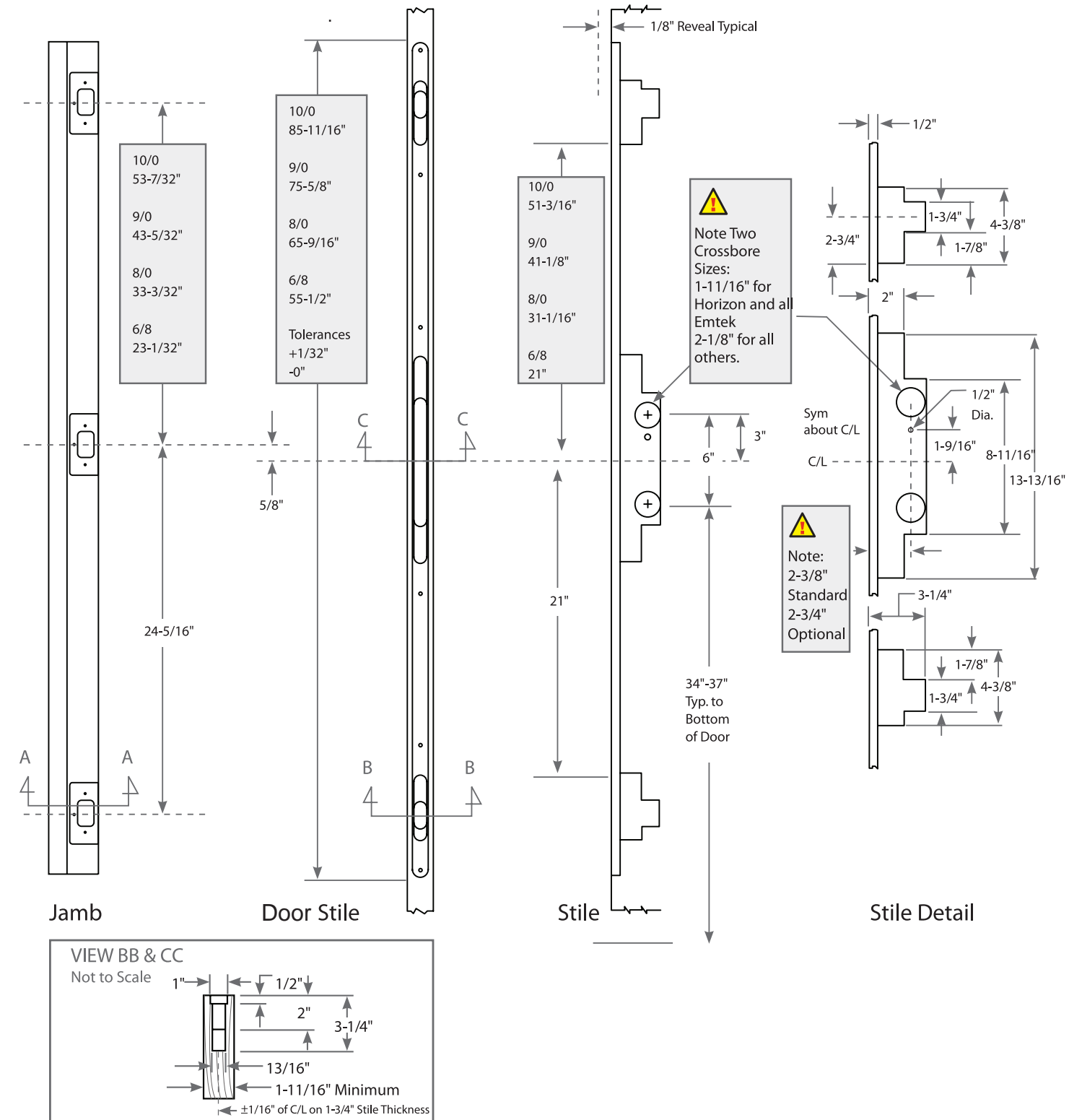
MULTI-POINT LOCK TRIMS

SPECIAL ORDER



Available with SCHLAGE C-Keyway or Smartkey.

SPECIFICATIONS GUIDE





LOCKSETS / RESIDENTIAL

Yale Residential Securies offers a complete range of lockset styles and finishes perfectly suited to complete your **BHI Doors** exterior system. Combining years of engineering refinement with fine craftsmanship, Yale continues the high standards set forth by Linus Yale in the mid-19th century. Three collections of locksets offer superior functionality, easy installation, and secure performance. All Yale locksets are backed by a lifetime limited finish and mechanical warranty.

QUICK SHIP FACTORY DIRECT.



TOUCHSCREEN DEADBOLT YRD220



TOUCHSCREEN DEADBOLT INSIDE VIEW



TOUCHSCREEN LEVER YRD220



PUSH BUTTON LEVER INSIDE VIEW

Item	Pack	Description	Finish
YRD210US10BP	1	YALE PUSH BUTTON DEADBOLT US10BP	
YRD210US15	1	YALE PUSH BUTTON DEADBOLT US15	
YRD220US10BP	1	YALE TOUCHSCREEN DEADBOLT US10BP	
YRD220US15	1	YALE TOUCHSCREEN DEADBOLT US15	

All locks can be keyed alike or master keyed at your request.



LOCKSETS / RESIDENTIAL

Yale YH Collection

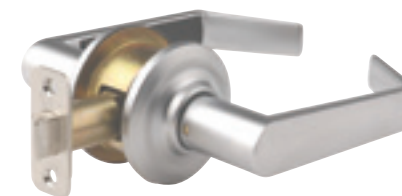
Prestige, strength, and longevity. Residential and light-commercial locksets in a wide range of exciting designs at surprisingly affordable prices. (ANSI Grade 2)



JAMESTOWN



HOMESTEAD



CITADEL
UL Available

SKU	Pack	Description	Finish
927JUS15ALIP	6	JAMESTOWN HANDLESET US15A KD LIP	
927JUS15LIP	6	JAMESTOWN HANDLESET US15 KD LIP	

SKU	Pack	Description	Finish
926HGMLIP	6	HOMESTEAD HANDLESET GM KD LIP	
926HUS15LIP	6	HOMESTEAD HANDLESET US15 KD LIP	

All locks can be keyed alike or master keyed at your request.

DOOR HARDWARE



DOOR HARDWARE

YALE LOCKSETS / RESIDENTIAL

SKU	Pack	Description	Finish
81MCUS15LH	12	McCLURE DUMMY LEVER US15 LH	
81MCUS15RH	12	McCLURE DUMMY LEVER US15 RH	
11MCUS15	12	McCLURE PASSAGE LEVER US15	
21MCUS15	12	McCLURE PRIVACY LEVER US15	
71MCUS15	12	McCLURE ENTRY LEVER US15 KA3	

SKU	Pack	Description	Finish
81NWGMLH	12	NORWOOD DUMMY LEVER GM LH	Gun Metal
81NWGMRH	12	NORWOOD DUMMY LEVER GM RH	Gun Metal
11NWGM	12	NORWOOD PASSAGE LEVER GM	Gun Metal
21NWGM	12	NORWOOD PRIVACY LEVER GM	Gun Metal
81NWUS10BPLH	12	NORWOOD DUMMY LEVER US10BP LH	Oil Rubbed Bronze
81NWUS10BPRH	12	NORWOOD DUMMY LEVER US10BP RH	Oil Rubbed Bronze
11NWUS10BP	12	NORWOOD PASSAGE LEVER US10BP	Oil Rubbed Bronze
21NWUS10BP	12	NORWOOD PRIVACY LEVER US10BP	Oil Rubbed Bronze
71NWUS10BP	12	NORWOOD ENTRY LEVER US10BP KA3	Oil Rubbed Bronze
81NWUS15LH	12	NORWOOD DUMMY LEVER US15 LH	
81NWUS15RH	12	NORWOOD DUMMY LEVER US15 RH	
11NWUS15	12	NORWOOD PASSAGE LEVER US15	
21NWUS15	12	NORWOOD PRIVACY LEVER US15	
71NWUS15	12	NORWOOD ENTRY LEVER US15	



MCCLURE



NORWOOD



CAMBRIDGE



DARTMOUTH US 15



DARTMOUTH 10BP

NEW IMAGE



DEADBOLT UL Available

YALE LOCKSETS / RESIDENTIAL

SKU	Pack	Description	Finish
80CBGM	24	CAMBRIDGE DUMMY KNOB GUN METAL	
10CBGM	24	CAMBRIDGE PASSAGE KNOB GM	
20CBGM	24	CAMBRIDGE PRIVACY KNOB GM	
80CBUS10BP	24	CAMBRIDGE DUMMY KNOB US10BP	
10CBUS10BP	24	CAMBRIDGE PASSAGE KNOB US10BP	
20CBUS10BP	24	CAMBRIDGE PRIVACY KNOB US10BP	
70CBUS10BP	24	CAMBRIDGE ENTRY KNOB US10BP KA3	
80CBUS15	24	CAMBRIDGE DUMMY KNOB US15	
10CBUS15	24	CAMBRIDGE PASSAGE KNOB US15	
20CBUS15	24	CAMBRIDGE PRIVACY KNOB US15	
70CBUS15	24	CAMBRIDGE ENTRY KNOB US15 KA3	

SKU	Pack	Description	Finish
80DMUS15	24	DARTMOUTH DUMMY KNOB US15	
10DMUS15	24	DARTMOUTH PASSAGE KNOB US15	
20DMUS15	24	DARTMOUTH PRIVACY KNOB US15	
70DMUS15	24	DARTMOUTH ENTRY KNOB US15 KA3	
80DMUS3	24	DARTMOUTH DUMMY KNOB US3	
10DMUS3	24	DARTMOUTH PASSAGE KNOB US3	
20DMUS3	24	DARTMOUTH PRIVACY KNOB US3	
70DMUS3	24	DARTMOUTH ENTRY KNOB US3 KA3	

SKU	Pack	Description	Finish
82PDBUS15	12	PREMIER S/C DEADBOLT US15 KA3	
82PDBUS26D	12	PREMIER S/C DEADBOLT US26D KA3	
82PDBUS5	12	PREMIER S/C DEADBOLT US5 KA3	

SKU	Pack	Description	Finish
83SDBUS10BP	12	SELECT S/C DEADBOLT US10BP KA3	
83SDBUS15	12	SELECT S/C DEADBOLT US15 KA3	
83SDBUS26D	12	SELECT S/C DEADBOLT US26D KA3	
83SDBUS5	12	SELECT S/C DEADBOLT US5 KA3	
85DDBUS15	12	SELECT DBL CYL DEADBOLT US15 KA3	
85DDBUS5	12	SELECT DBL CYL DEADBOLT US5 KA3	

All locks can be keyed alike or master keyed at your request.

All locks can be keyed alike or master keyed at your request.



YALE LOCKSETS / RESIDENTIAL

SKU	Pack	Description	Finish
622MUS10BPLIP	6	McKINLEY HANDLESET US10BP LIP	
622MUS15LIP	6	McKINLEY HANDLESET US15 LIP	
622MUS3LIP	6	McKINLEY HANDLESET US3 LIP	
622MUS5LIP	6	McKINLEY HANDLESET US5 LIP	

SKU	Pack	Description	Finish
623RUS10BPLIP	6	RAINIER HANDLESET LIP US10BP KD	
623RUS15LIP	6	RAINIER HANDLESET LIP US15 KD	

SKU	Pack	Description	Finish
620CUS10BP	6	CIRRUS KNOB INNER TRIM US10BP	
620CUS15	6	CIRRUS KNOB INNER TRIM US15	
620SLUS10BPLH	6	SAVANNAH LVR INNER TRIM US10BP LH	
620SLUS10BPRH	6	SAVANNAH LVR INNER TRIM US10BP RH	
620SLUS15LH	6	SAVANNAH LVR INNER TRIM US15 LH	
620SLUS15RH	6	SAVANNAH LVR INNER TRIM US15 RH	
620TGM	6	TERRA KNOB INNER TRIM GM	
620TUS10BP	6	TERRA KNOB INNER TRIM US10BP	
620TUS15	6	TERRA KNOB INNER TRIM US15	
620WLGGM	6	WOODLAND LVR INNER TRIM GM	
620WLUS10BP	6	WOODLAND LVR INNER TRIM US10BP	
620WLUS15	6	WOODLAND LVR INNER TRIM US15	
620WLUS26D	6	WOODLAND LVR INNER TRIM US26D	



TERRA



SAVANNAH



CIRRUS



WOODLAND



MCKINLEY



RAINIER



Yale New Traditions

Standard-duty residential locksets with enhanced quality, durability, and style features. (ANSI Grade 3)



SAVANNAH

YALE LOCKSETS / RESIDENTIAL

SKU	Pack	Description	Finish
81SLUS10BPLH	12	SAVANNAH DUMMY LEVER US10BP LH	
81SLUS10BPRH	12	SAVANNAH DUMMY LEVER US10BP RH	
101SLUS10BP	12	SAVANNAH PASSAGE LEVER US10BP	
201SLUS10BP	12	SAVANNAH PRIVACY LEVER US10BP	
771SLUS10BP	12	SAVANNAH ENTRY LEVER US10BP	
81SLUS15ALH	12	SAVANNAH DUMMY LEVER US15A LH	
81SLUS15ARH	12	SAVANNAH DUMMY LEVER US15A RH	
101SLUS15A	12	SAVANNAH PASSAGE LEVER US15A	
201SLUS15A	12	SAVANNAH PRIVACY LEVER US15A	
771SLUS15A	12	SAVANNAH ENTRY LEVER US15A	
81SLUS15LH	12	SAVANNAH DUMMY LEVER US15 LH	
81SLUS15RH	12	SAVANNAH DUMMY LEVER US15 RH	
101SLUS15	12	SAVANNAH PASSAGE LEVER US15	
201SLUS15	12	SAVANNAH PRIVACY LEVER US15	
771SLUS15	12	SAVANNAH ENTRY LEVER US15	

All locks can be keyed alike or master keyed at your request.

All locks can be keyed alike or master keyed at your request.



YALE LOCKSETS / RESIDENTIAL

SKU	Pack	Description	Finish
81WLGM	12	WOODLAND DUMMY LVR GUN METAL	
101WLGM	12	WOODLAND PASSAGE LEVER GM	
201WLGM	12	WOODLAND PRIVACY LEVER GM	
81WLUS10BP	12	WOODLAND DUMMY LEVER US10BP	
101WLUS10BP	12	WOODLAND PASSAGE LEVER US10BP	
201WLUS10BP	12	WOODLAND PRIVACY LEVER US10BP	
771WLUS10BP	12	WOODLAND ENTRY LVR US10BP KA3	
81WLUS15	12	WOODLAND DUMMY LEVER US15	
101WLUS15	12	WOODLAND PASSAGE LEVER US15	
201WLUS15	12	WOODLAND PRIVACY LEVER US15	
771WLUS15	12	WOODLAND ENTRY LEVER US15 KA3	
SKU	Pack	Description	Finish
80TGM	24	TERRA DUMMY KNOB GUN METAL	
100TGM	24	TERRA PASSAGE KNOB GUN METAL	
200TGM	24	TERRA PRIVACY KNOB GUN METAL	
700TGM	24	TERRA ENTRY KNOB GUN METAL KA3	
80TUS10BP	24	TERRA DUMMY KNOB US10BP	
100TUS10BP	24	TERRA PASSAGE KNOB US10BP	
200TUS10BP	24	TERRA PRIVACY KNOB US10BP	
700TUS10BP	24	TERRA ENTRY KNOB US10BP KA3	
80TUS15	24	TERRA DUMMY KNOB US15	
100TUS15	24	TERRA PASSAGE KNOB US15	
200TUS15	24	TERRA PRIVACY KNOB US15	
700TUS15	24	TERRA ENTRY KNOB US15 KA3	



WOODLAND



TERRA



CIRRUS



DEADBOLT

All locks can be keyed alike or master keyed at your request.

YALE LOCKSETS / RESIDENTIAL

SKU	Pack	Description	Finish
80CUS10BP	24	CIRRUS DUMMY KNOB US10BP	
100CUS10BP	24	CIRRUS PASSAGE KNOB US10BP	
200CUS10BP	24	CIRRUS PRIVACY KNOB US10BP	
700CUS10BP	24	CIRRUS ENTRY KNOB US10BP KA3	
80CUS15	24	CIRRUS DUMMY KNOB US15	
100CUS15	24	CIRRUS PASSAGE KNOB US15	
200CUS15	24	CIRRUS PRIVACY KNOB US15	
700CUS15	24	CIRRUS ENTRY KNOB US15 KA3	
80CUS15A	24	CIRRUS DUMMY KNOB US15A	
100CUS15A	24	CIRRUS PASSAGE KNOB US15A	
200CUS15A	24	CIRRUS PRIVACY KNOB US15A	
700CUS15A	24	CIRRUS ENTRY KNOB US15A KA3	
80CUS26D	24	CIRRUS DUMMY KNOB US26D	
100CUS26D	24	CIRRUS PASSAGE KNOB US26D	
200CUS26D	24	CIRRUS PRIVACY KNOB US26D	
700CUS26D	24	CIRRUS ENTRY KNOB US26D KA3	
780CUS26D	24	CIRRUS STOREROOM KNOB US26D KA3	
80CUS3	24	CIRRUS DUMMY KNOB US3	
100CUS3	24	CIRRUS PASSAGE KNOB US3	
200CUS3	24	CIRRUS PRIVACY KNOB US3	
700CUS3	24	CIRRUS ENTRY KNOB US3 KA3	
SKU	Pack	Description	Finish
820GM	12	S/C DEADBOLT GUN METAL KA3	
820US10BP	12	S/C DEADBOLT US10BP KA3	
820US15	12	S/C DEADBOLT US15 KA3	
820US15A	12	S/C DEADBOLT US15A KA3	
820US26	12	S/C DEADBOLT US26 KA3	
820US26D	12	S/C DEADBOLT US26D KA3	
820US3	12	S/C DEADBOLT US3 KA3	
820US5	12	S/C DEADBOLT US5 KA3	
840US15	12	DOUBLE CYL DEADBOLT US15 KA3	
840US10BP	12	DOUBLE CYL DEADBOLT US10BP KA3	
840US15A	12	DOUBLE CYL DEADBOLT US15A KA3	
840US3	12	DOUBLE CYL DEADBOLT US3 KA3	
840US5	12	DOUBLE CYL DEADBOLT US5 KA3	
880US10BP	12	ONE-WAY DEADBOLT US10BP	
880US15	12	ONE-WAY DEADBOLT US15	
880US3	12	ONE-WAY DEADBOLT US3	
880US5	12	ONE-WAY DEADBOLT US5	

All locks can be keyed alike or master keyed at your request.

DOOR HARDWARE

DOOR HARDWARE

YALE LOCKSETS / RESIDENTIAL

QUICK SHIP FACTORY DIRECT.

PASSAGE LEVERS

SKU	Pack	Description	Finish
11KWUS10BP	20	YALE-EDGE KEOWEE PASSAGE LEVER US10BP	
11KWUS15	20	YALE-EDGE KEOWEE PASSAGE LEVER US15	

PRIVACY LEVERS

SKU	Pack	Description	Finish
21KWUS10BP	20	YALE-EDGE KEOWEE PRIVACY LEVER US10BP	
21KWUS15	20	YALE-EDGE KEOWEE PRIVACY LEVER US15	

ENTRY LEVERS

SKU	Pack	Description	Finish
71KWUS10BP	20	YALE-EDGE KEOWEE ENTRY LEVER US10BP	
71KWUS15	20	YALE-EDGE KEOWEE ENTRY LEVER US15	



YALE LOCKSETS / RESIDENTIAL

QUICK SHIP FACTORY DIRECT.

DUMMY LEVER SETS

SKU	Pack	Description	Finish
81KWUS10BPLH	20	YALE-EDGE KEOWEE DUMMY LEVER US10BP LH	
81KWUS10BPRH	20	YALE-EDGE KEOWEE DUMMY LEVER US10BP RH	
81KWUS15LH	20	YALE-EDGE KEOWEE DUMMY LEVER US15 LH	
81KWUS15RH	20	YALE-EDGE KEOWEE DUMMY LEVER US15 RH	

DEADBOLTS

SKU	Pack	Description	Finish
820EDGEUS10BP	20	YALE EDGE S/C DEADBOLT US10BP	
820EDGEUS15	20	YALE EDGE S/C DEADBOLT US15	

All locks can be keyed alike or master keyed at your request.

All locks can be keyed alike or master keyed at your request.



YALE LOCKSETS / RESIDENTIAL

Yale Cylindrical Locks
 Grade 2 • ANSI A156.3
 Schlage Keyway

SKU	Comparable to:	Description	Finish	Pack



NEW PART #S



Yale UL Listed Locksets - Schlage Keyway

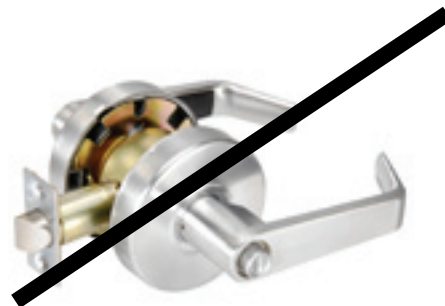
All locks come with round corner adjustable 2-3/8" to 2-3/4" backset.
 All locks come with round corner adjustable 2-3/8" to 2-3/4" backset.
 For other finishes with Kwikset keyway, see Yale price list.

SKU	Description	Finish	Pack
71CDUS26DUL	Citadel Entry Lever UL Listed	US26D	12

Deadbolts • Grade 2 • Schlage Keyway

Deadbolts include round corner adjustable 2-3/8" to 2-3/4" backset.
 For other finishes with Kwikset keyway, see Yale YH price list. Pack: 12

SKU	Description	Finish	Pack
710DU326D	Citadel Entry Lever	US26D	12
82PDBUS26DSCH	Premier S/C Deadbolt KA3	US26D	12
82PDBUS26DULSCH	Premier S/C Deadbolt UL Listed	US26D	12
83SDBUS10BPSCH	Select S/C Deadbolt KA3	US10BP	12
83SDBUS26DSCH	Select S/C Deadbolt KA3	US26D	12



NEW IMAGE
 SMALL ROSE

ADD IMAGE

All locks can be keyed alike or master keyed at your request.

LOCKSETS / COMMERCIAL

Pioneer SL Series Standard Duty
 Cylindrical Leversets - Schlage Keyway

All SL Series Locks are ANSI Grade 2
 UL listed 3 hour rated 2-3/4" latch standard

SKU	Description	Finish	Pack
SL00US26D	Entrance Function	US26D	10
SL20US26D	Privacy Function	US10B	10
SL30US26D	Passage Function	US26D	10

LATCHES ONLY			
SKU	Description	Finish	Pack
SSLD-23826D	2-3/8" Deadlatch	US26D	10
SSLD-23426D	2-3/4" Deadlatch	US26D	10
SSLS-23826D	2-3/8" Springlatch	US26D	10
SSLS-23426D	2-3/4" Springlatch	US26D	10

SKU	Description	Finish	Pack
ASASTUS26D	ANSI Strike 1-1/4" x 4-7/8"	US26D	10/25

All locks can be keyed alike or master keyed at your request.





PANIC HARDWARE

SKU	Size	Description	Finish
YME110036689	36"	1800 Rim Type Exit Device - Reversible	Alum
YME111036689	36"	1800 Vertical Rod Surface Exit Device REVERSIBLE	Alum
<i>LHR = Left Hand Reverse (Use this hand for a Right Hand outswing door)</i>			
<i>RHR = Right Hand Reverse (Use this hand for a Left Hand outswing door)</i>			
SKU	Size	Description	Finish
AU441F626		Augusta ENTRY/STOREROOM Exterior Rose Trim	US26D



All locks can be keyed alike or master keyed at your request.

POLE SOCKETS

SKU	Description	Finish	Case Pk.
043027	36025 Plastic Pole Socket 1-1/4"	White Plastic	50/100
PSWOOD	Wood Pole Socket	Unfinished	50/100





BI-FOLD TRACK/HARDWARE



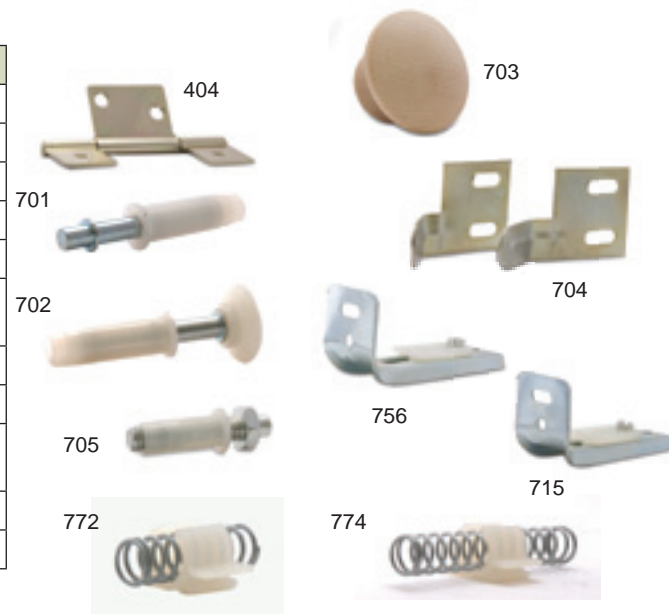
SKU	Description	Mfg.#	Pack
780302	3/0 2 Door Aluminum Track - Bulk	7803020	50
780404	4/0 4 Door Aluminum Track - Bulk	7804040	50
780504	5/0 4 Door Aluminum Track - Bulk	7805040	50
780604	6/0 4 Door Aluminum Track - Bulk	7806040	50
780804	8/0 4 Door Aluminum Track - Bulk	7808040	50



SKU	Description	Mfg.#	Pack
7802221A2	2 Door Hardware Set w/704 (780)	7802221A2	100
7804221A2	4 Door Hardware Set w/704 (780)	7804221A2	100

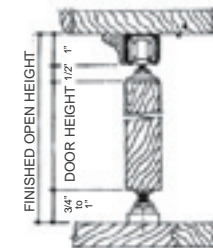
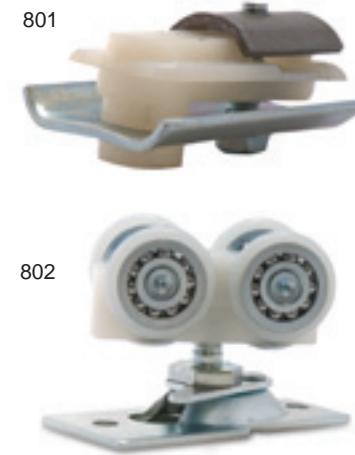
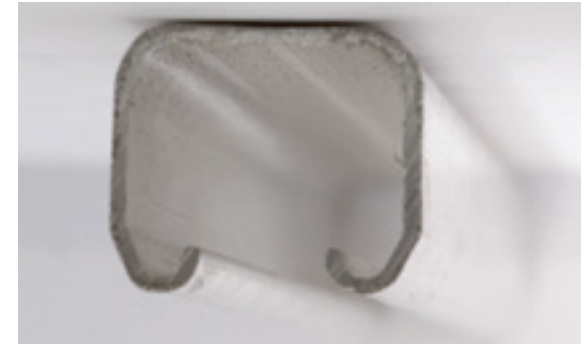


SKU	Description	Mfg.#	Pack
404	Hinge - 3 leaf, Polished Brass	404	100
701	Top Pivot	701	100
702	Top Roller Pivot w/ Wheel	702	100
703	Wood Knob 1-1/2"	703	100
704	Aligner (pair)	704	100
705	Bottom Pivot, Nylon Positive Vertical Adj.	705	100
711	Adjustment Wrench		
715	Jamb Floor Bracket w/Round Hole	715	100
756	Jamb Floor Bracket Nylon Plate w/Square Hole	756	
772	Door Snugger	772	
774	Door Snugger	774	



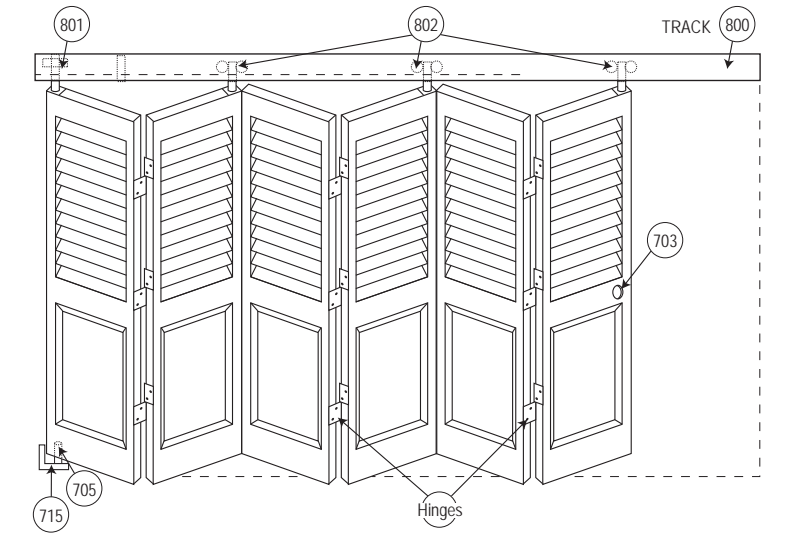
BI-FOLD TRACK/HARDWARE HEAVY DUTY

USE WITH 1" TO 1 3/4" DOORS WEIGHING UP TO 75 LBS. EACH
 This hardware is used with two-door, four-door, or multiple-door units. Adjustable four-wheel ball bearing hangers allow doors to stack against jamb. Vertical & horizontal adjustments are made after doors are hung insuring balanced weight distribution.



Series 800 Track Multi-fold Door Detail Under Header Installation

SKU	Description	Mfg.#	Pack
800804	8/0 4 Door Aluminum Track - Bulk	8008041	25
8001001	10/0 4 Door Aluminum Track - Bulk	8001001	25
8001201	12/0 4 Door Aluminum Track - Bulk	8001201	25
8001601	16/0 4 Door Aluminum Track - Bulk	8001601	25
801	Top Aluminum Track Bracket	801	100
802	4 Wheel Ball Bearing Hanger w/ Door Plate	802	100
3502111	2 Door Hardware Bag-4Wheel Ball Bearing	3502111	100
3504111	4 Door Hardware Bag-4Wheel Ball Bearing	3504111	50
355	Pivot Set	355-2	100



Heavy Duty 2 Door Bi-Fold (for use with 800 Track)

	PARTS INCLUDED							
ITEM	801	703	704	705	711	715	801	802
3502111	1	1		1	1	1	1	1

Heavy Duty 4 Door Bi-Fold (for use with 800 Track)

	PARTS INCLUDED							
ITEM	801	703	704	705	711	715	801	802
3504111	2	2	2	2	1	2	2	2

Heavy Duty Mutli-Fold (One-Sided Opening, for use with 800 Track)

- This application requires installing door or shutter panels in pairs.
- When ordering one-sided multi-fold hardware, order item #3502111. This will be used for one pair of doors.
- Every additional pair of doors or shutters will require one item #802.

Heavy Duty Mutli-Fold (Center Opening, for use with 800 Track)

- This application requires installing door or shutter panels in pairs.
- When ordering center opening multi-fold hardware, order item #3504111. This will be used for two pairs of doors.
- Every additional pair of doors or shutters will require one item #802.



BI-PASS TRACK/HARDWARE

Bi-Pass 235 Non Fascia Aluminum Track and Hardware For 1-3/8" doors with weight up to 50 lbs. each.			
SKU	Description	Mfg.#	Pack
23540SK	4/0 Aluminum Track w/Hardware-Shrink Pack	235402121	20
23550SK	5/0 Aluminum Track w/Hardware-Shrink Pack	235502121	20
23560SK	6/0 Aluminum Track w/Hardware-Shrink Pack	235602121	20
23580SK	8/0 Aluminum Track w/Hardware-Shrink Pack	235802121	20
23540	4/0 Aluminum Track - Bulk	2354020	15
23550	5/0 Aluminum Track - Bulk	2355020	15
23560	6/0 Aluminum Track - Bulk	2356020	15
23580	8/0 Aluminum Track - Bulk	2358020	15
2282122	2 Door Hardware Bag, 1 piece Guide	2282122	100
2282112	2 Door Hardware Bag, Adjustable Guide	2282112	100
209	Adjustable Floor Guide - Beige	209	100
210	One Piece Floor Guide	210	100
216	Flush Pull 1-3/4" Plastic - Beige	216	100

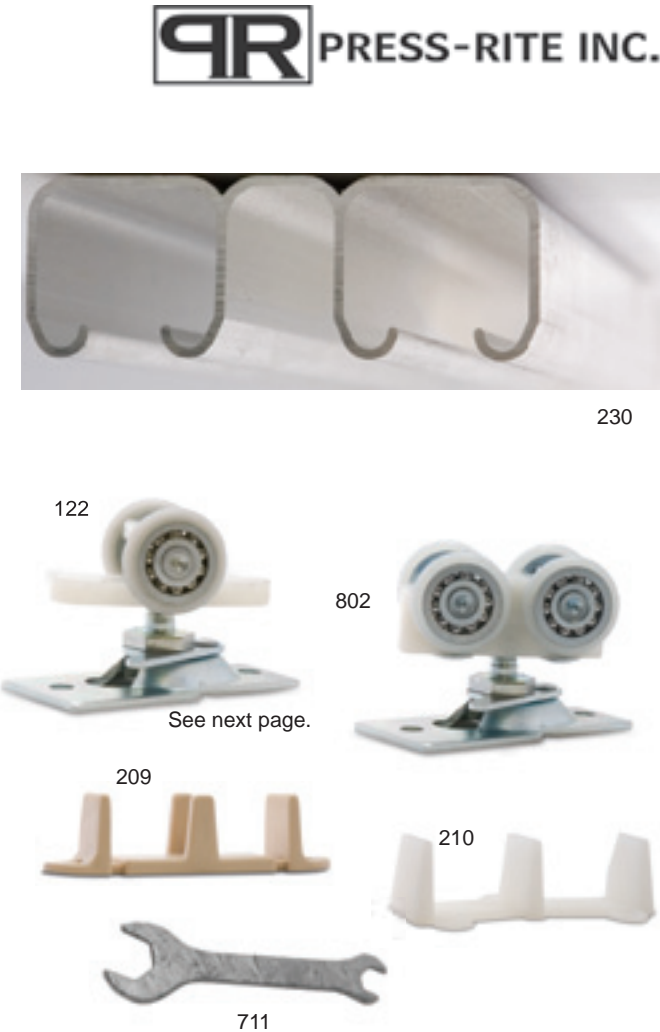
Note: The hardware bags and bulk parts for the 235 and 245 series are interchangeable. This eliminates any errors in shipping or replacement.



Bi-Pass 245 Fascia Aluminum Track and Hardware For 1-3/8" doors with weight up to 50 lbs. each.			
SKU	Description	Mfg.#	Pack
24540SK	4/0 Aluminum Track w/Hardware-Shrink Pack	245402121	15
24550SK	5/0 Aluminum Track w/Hardware-Shrink Pack	245502121	15
24560SK	6/0 Aluminum Track w/Hardware-Shrink Pack	245602121	15
24540	4/0 Aluminum Track - Bulk	2454020	25
24550	5/0 Aluminum Track - Bulk	2455020	25
24560	6/0 Aluminum Track - Bulk	2456020	25



BI-PASS TRACK/HARDWARE HEAVY DUTY



USE WITH 1 3/8" DOORS WEIGHING UP TO 75 LBS. EACH
 This hardware features aluminum track with top mounted 2 or 4 wheel hangers. 122 is our 2-wheel heavy duty ball bearing hanger which features ball bearing wheels for very smooth and effortless operation. The 802 is our top-of-the-line 4-wheel ball bearing hanger. This hanger features 4 ball bearing wheels for added strength, stability and smoothness.

Note: The hardware bags and bulk parts for the 235 and 245 series are interchangeable. This eliminates any errors in shipping or replacement.

Bi-Pass 2300 Double 800 Aluminum Track and Hardware For 1-3/8" doors with weight up to 50 lbs. each.			
SKU	Description	Mfg.#	Pack
230040	4/0 Aluminum Track - Bulk	230040	15
230050	5/0 Aluminum Track - Bulk	230050	15
230060	6/0 Aluminum Track - Bulk	230060	15
230080	8/0 Aluminum Track - Bulk	230080	15
230100	10/0 Aluminum Track - Bulk	230100	15
230120	12/0 Aluminum Track - Bulk	230120	15
2302113	2 Door Hardware Bag - 4 Wheel	2302113	100
2302212	2 Door Hardware Bag - 2 Wheel	2302212	100
802	4 Wheel Ball Bearing Hanger w/ Door Plate	802	100

2 Door Heavy-Duty Bi-Pass Hardware Sets
 (for use with 2300 Track)

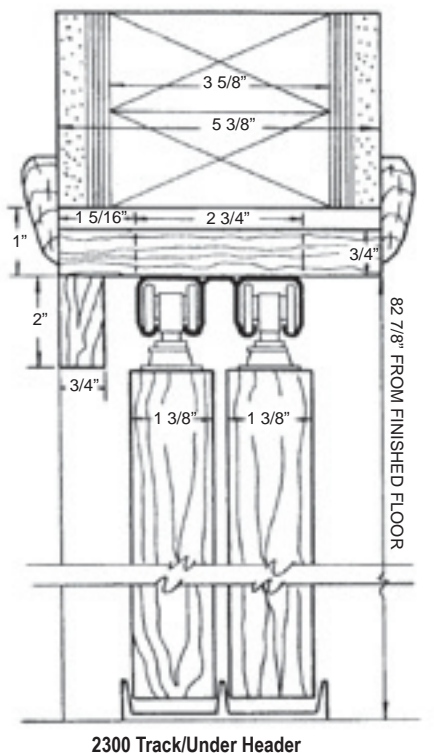
ITEM	PARTS INCLUDED				
	122	209	210	216	802
2302112		1		2	4
2302113		1			4
2302122			1	2	4
2302123			1		4
2302212	4	1		2	
2302213	4	1			
2302222	4		1	2	

Heavy-Duty Multi-Pass Hardware Sets

ITEM	PARTS INCLUDED				
	122	209	210	216	802

Finished Door Size*	2'0"	2'6"	3'0"
Overall Width	48 1/2"	60 1/2"	72 1/2"
Length of Track	47"	59"	71"
Width of Rough Opening	49"	61"	73"
Height of rough opening from finished floor	82 7/8"	82 7/8"	82 7/8"

* These measurements are for a 6'8" door, 1/2" floor clearance and 1" lap of doors



2300 Track/Under Header



POCKET TRACK/HARDWARE

Pocket Door Heavy Duty Aluminum Track and Ball Bearing Hardware For 1" to 1-3/4" doors with weight up to 125 lbs. each.

SKU	Description	Mfg.#	Pack
800P40	4/0 Aluminum Track - Bulk	800040	25
800P50	5/0 Aluminum Track - Bulk	800050	25
800P60	6/0 Aluminum Track - Bulk	800060	25

SKU	Description	Mfg.#	Pack
C120H	Hardware Bag - 2 Wheel - Ball Bearing Hanger	120	100
508	Hardware Bag - 4 Wheel - Ball Bearing Hanger	508	100

SKU	Description	Mfg.#	Pack
122	Hanger - 2 Wheel - Ball Bearing Hanger	122	100
802	Hanger - 4 Wheel - Ball Bearing Hanger	802	100
1224	Hanger Plate only	1224	100
125	Pocket Hardware Guide one piece Nylon	125	100
146	Galvanized Metal Plate	146	100



USE WITH 1" to 1 3/4" DOORS WEIGHING UP TO 150 LBS. EACH

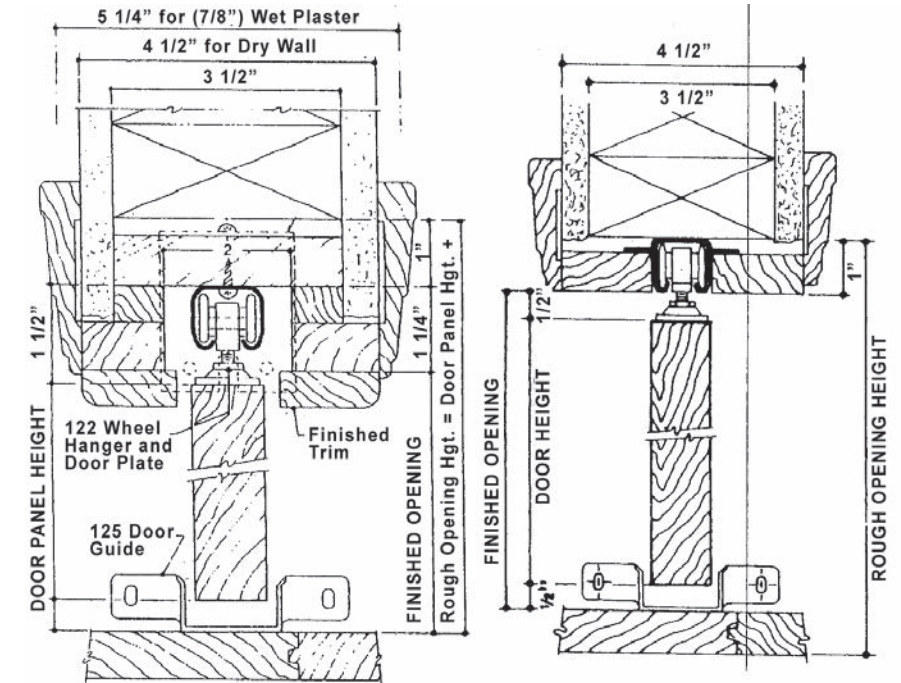
This hardware features 2 or 4 wheel top mounted ball bearing hangers that glide in heavy aluminum track for smooth, quiet operation.

Designed for easy adjustment and installation. Requires minimal headroom.

The 122 is our 2-wheel heavy duty ball bearing hanger which features ball bearing wheels for very smooth and effortless operation.

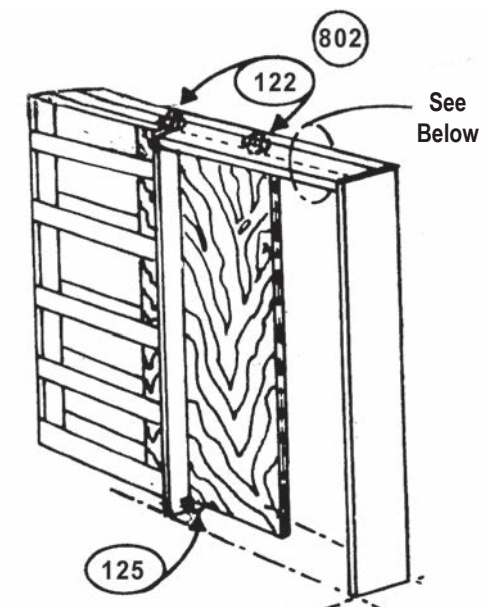
The 802 is our top-of-the-line 4-wheel ball bearing hanger. This hanger features 4 ball bearing wheels for added strength, stability and smoothness.

POCKET TRACK/HARDWARE



Series 800 Track Pocket Door Detail Under Header Installation

Series 1200 Track Pocket Door Detail Split Header Installation



1200 & 800 Rough Opening Pocket Frame

Finished Door Size*	2/0	2/4	2/6	2/8	3/0
OPG Width (1) Door	50"	58"	62"	66"	74"
OPG Width (2) Doors	98 1/4"	114 1/4"	122 1/4"	130 1/4"	146 1/4"
OPG Height from Finished Floor			1200	82 1/2"	
OPG Height from Finished Floor			800	83 1/4"	

Heavy Duty Pocket Door Hardware (for use with 800 Track)

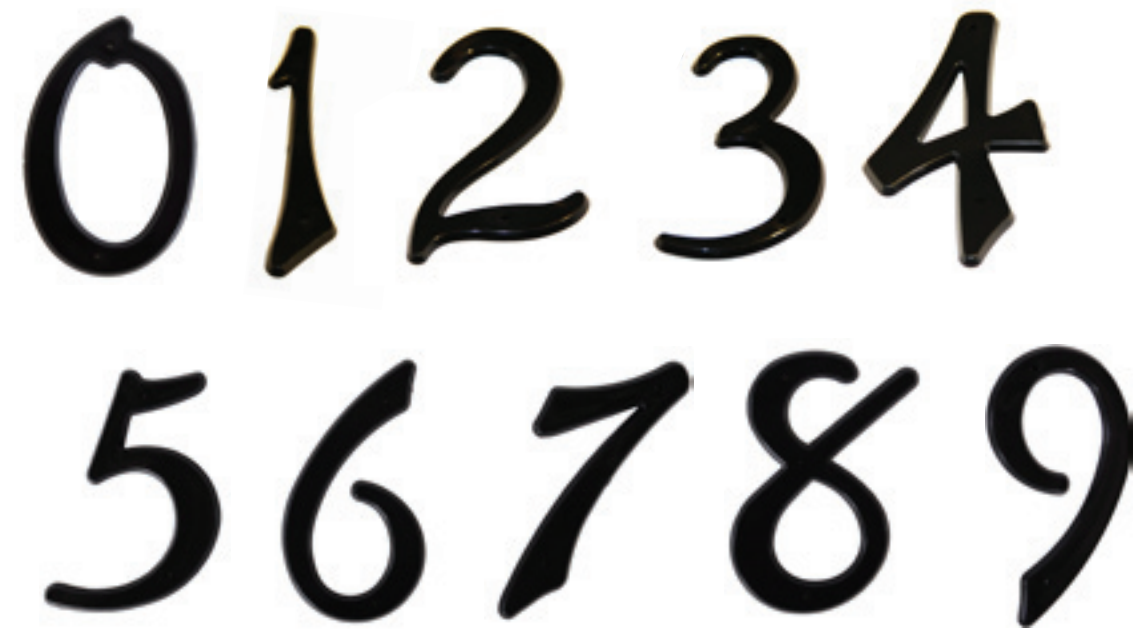
ITEM	PARTS INCLUDED			
	122	802	125	711
120	2		1	1
508		2	1	1

GENERAL HARDWARE

GENERAL HARDWARE

4" HOUSE NUMBERS

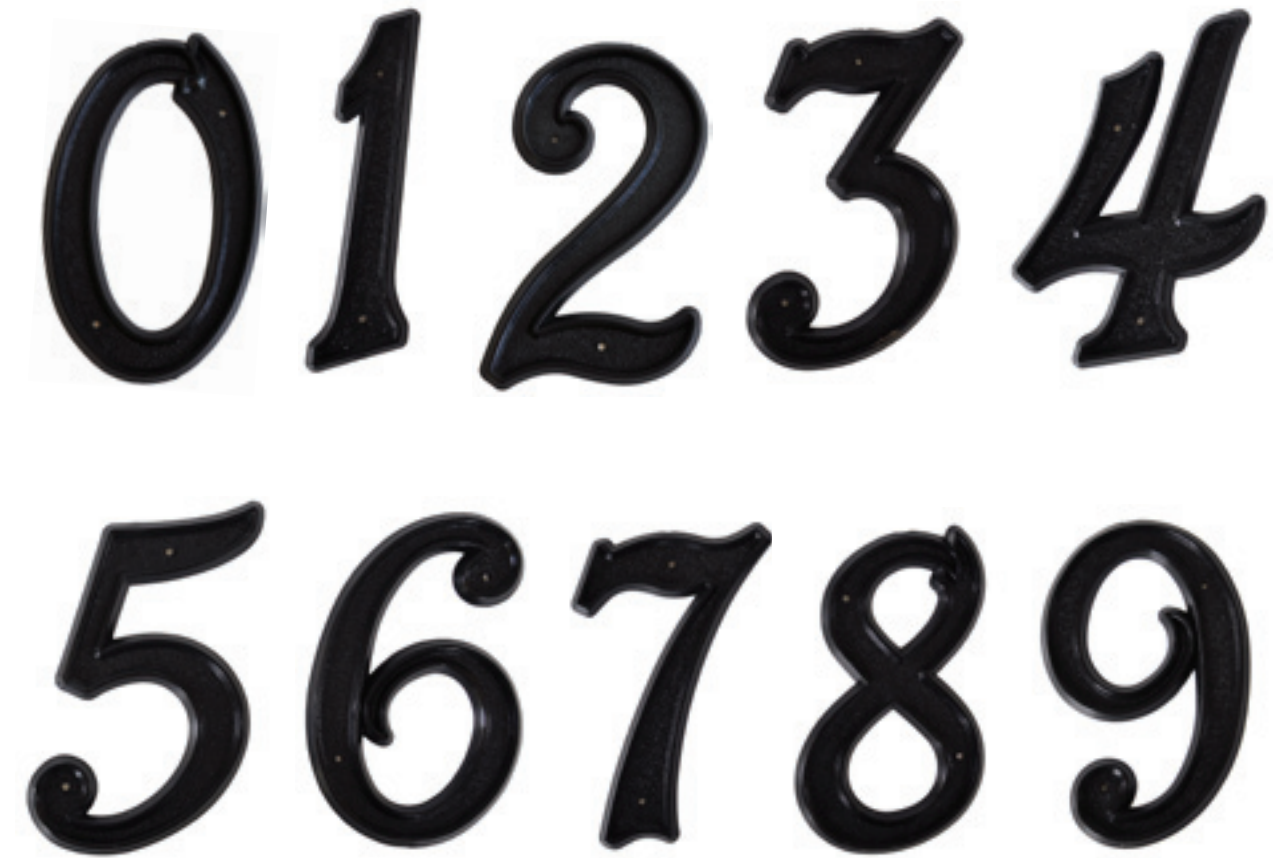
All house numbers are polybagged with screws.



4" Smooth Plastic. Black			
SKU	Description	Finish	Case Pk.
HN0	"0" House Number	Black	25/50
HN1	"1" House Number	Black	25/50
HN2	"2" House Number	Black	25/50
HN3	"3" House Number	Black	25/50
HN4	"4" House Number	Black	25/50
HN5	"5" House Number	Black	25/50
HN6	"6" OR "9" House Number	Black	25/50
HN7	"7" House Number	Black	25/50
HN8	"8" House Number	Black	25/50

6" HOUSE NUMBERS

All house numbers are polybagged with screws.



6" Plastic. Raised Textured Edge. Black			
SKU	Description	Finish	Case Pk.
PB60	"0" House Number	Black	25/50
PB61	"1" House Number	Black	25/50
PB62	"2" House Number	Black	25/50
PB63	"3" House Number	Black	25/50
PB64	"4" House Number	Black	25/50
PB65	"5" House Number	Black	25/50
PB66	"6" OR "9" House Number	Black	25/50
PB67	"7" House Number	Black	25/50
PB68	"8" House Number	Black	25/50

GENERAL HARDWARE

GENERAL HARDWARE

COMPOSITE SHIMS

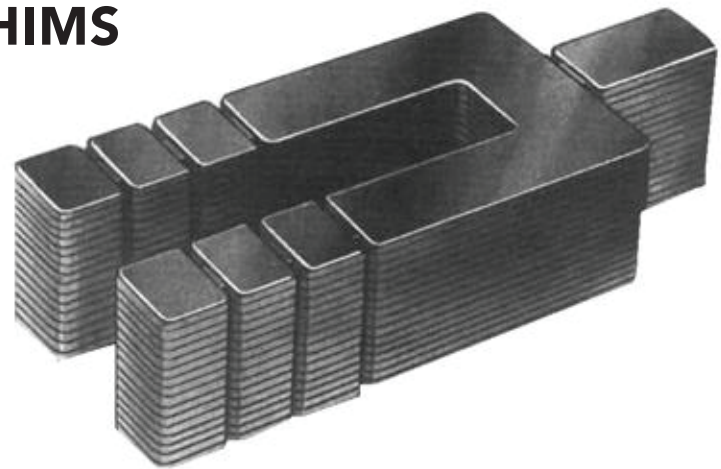


Waterproof
 Mildew resistant – will not rot
 Impervious to insects
 Resists splitting, splintering, swelling and warping.
 50% greater compression strength than traditional wood shims.

Uses:
 Leveling doors & windows, cabinets & appliances.
 Mixing paints & stains.
 Spreading adhesives and glues.
 Snaps easier than wood at natural break points (perforations).
 Easily drilled and cut.

SKU	Description	Width	Length	Thickness	Packaging
CWPS	Multi-purpose Shims	1-1/2"	8"	5/16 X 1/16"	24 paks of 12 per case

WINDOW SHIMS



SKU	Description	Width	Length	Thickness	Packaging
SS16	Stackable Shims	1-13/16"	3-1/2"	1/16"	1008 per case

HANDRAIL BRACKETS



SKU	Description	Finish	Case Pk.
105103	Handrail Bracket	Polished Brass	50/100
105105	Handrail Bracket	Antique Brass	50/100
105106	Handrail Bracket	Chrome	50/100
33606	Handrail Bracket	Satin Nickel	50/100
33603	Handrail Bracket	Oil Rubbed Bronze	50/100

SKU	Description	Finish	Case Pk.
36617	Heavy Duty Bracket	Polished Brass	50/100
36618	Heavy Duty Bracket	Antique Brass	50/100
36619	Heavy Duty Bracket	Chrome	50/100
36623	Heavy Duty Bracket	Satin Nickel	50/100
36626	Heavy Duty Bracket	Oil Rubbed Bronze	50/100
36622	Heavy Duty Bracket	Polished Brass	50/100
36633	Heavy Duty Bracket	Oil Rubbed Bronze	50/100
36634	Heavy Duty Bracket	Satin Nickel	50/100

SKU	Description	Finish	Case Pk.
3028BLK	Handrail Bracket	Black	10/50
3028NK	Handrail Bracket	Satin Nickel	10/50